



## Features

The EnOcean Smart Plug connects any device plugged into it: auxiliary light, electric heater, kettle, etc. The device is then remotely controllable with a wireless battery-free controller or automatically with a home automation gateway.



### HIGH POWER CAPACITY

Up to 16A, compatible with all household appliances



### SIGNAL REPEATER

The Smart Plug repeats messages from all other EnOcean devices



### POWER CUT DETECTION

The smart plug informs of a power cut, through the home automation gateway



### USER-FRIENDLINESS

Plug it in head up or head down for user-friendliness easy installation



### SMART ACTUATOR

The Smart Plug works directly with EnOcean devices and can be integrated into a home automation gateway ecosystem

## Technical specifications

**Power:** 230V AC 50Hz (EU)

**Max switching capacity:**

3.000W (continuous)

3.680W (temporary) on resistive load

**Power outage detection and notification (compatible gateway needed)**

**Consumption:** < 1W

**Radio frequency range:** 868.0 to 868.6 MHz

**Range:** up to 30m indoors

**Pairing:** up to 22 controllers

**EEP (EnOcean Profile):** D2-01-0A



List of compatible home automation gateways available on [www.nodon.fr](http://www.nodon.fr)

## Comfort



Make any light smart with a battery-free remote control

## Serenity



Receive an alert in case of a power cut on household appliances such as the fridge or the freezer\*

## Energy savings



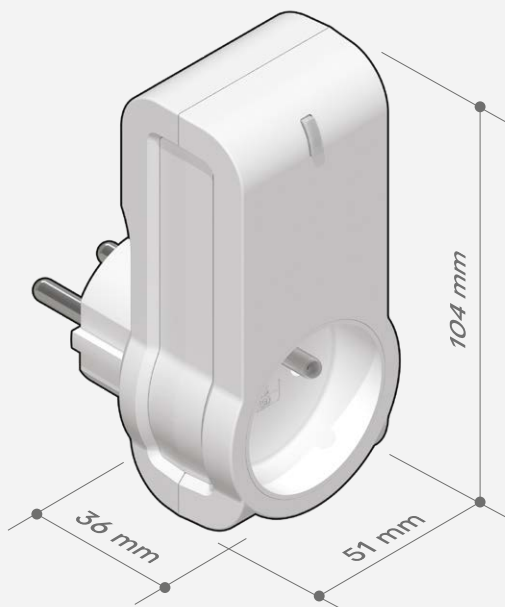
Automation and creation of scenario: for example start the coffee machine the morning\*



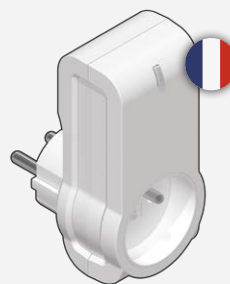
Turn the electric heater of a meeting room ON only if a presence is detected

\*Home automation gateway needed

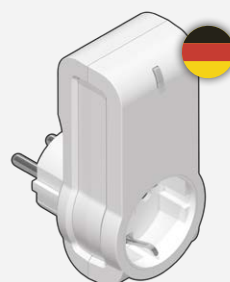
## Dimensions



## References



ASP-2-1-00  
EAN: 3700313920008  
Type E  
(French standard)



ASP-2-1-10  
EAN: 3700313920015  
Schuko  
(German standard)